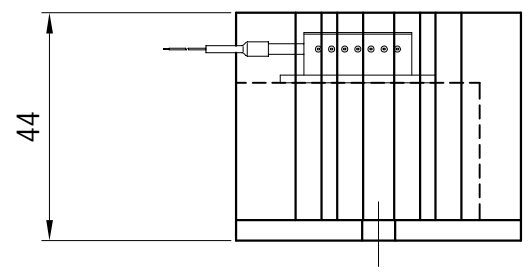
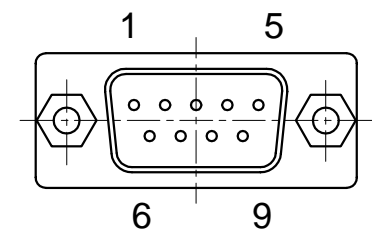
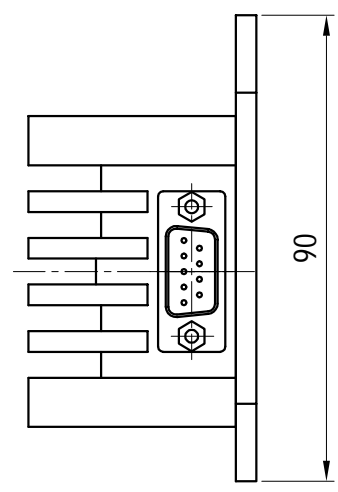
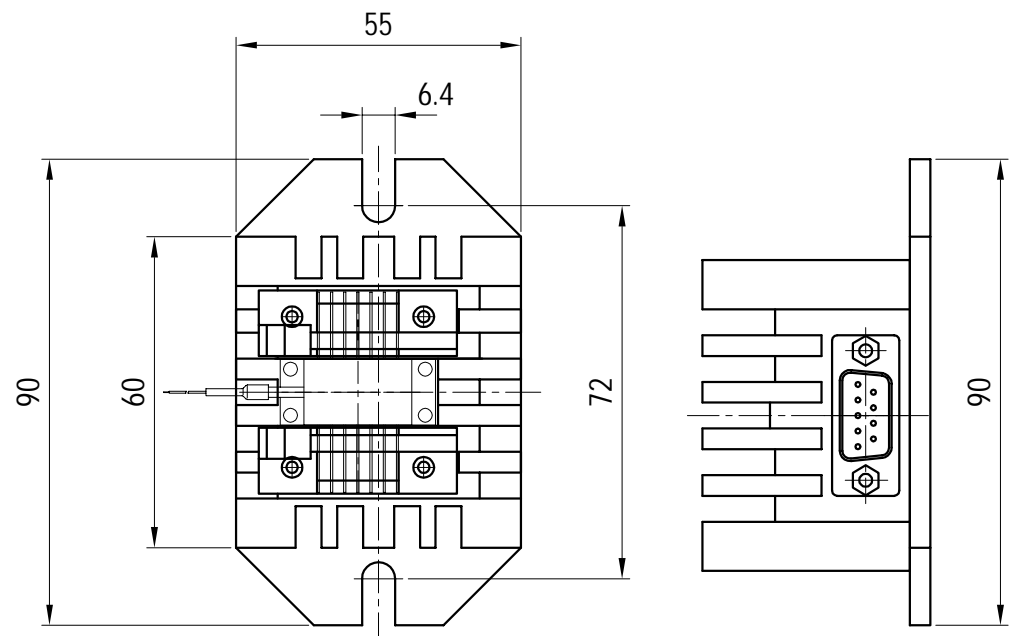


1 2 3 4 5 6 7 8

RevNo Revision note Date Signature Checked

### PINNING

|   |             |     |
|---|-------------|-----|
| 1 | Case        |     |
| 2 | Thermistor  |     |
| 3 | Thermistor  |     |
| 4 | TEC anode   | (+) |
| 5 | TEC cathode | (-) |
| 6 | SLD cathode | (-) |
| 7 | SLD anode   | (+) |
| 8 | PD anode    | (-) |
| 9 | PD cathode  | (+) |



- Dimensions are for information only.
- All dimensions are in millimeters (mm).

| Itemref               | Quantity   | Title/Name, designation, material, dimension etc |                |            | Article No./Reference |  |
|-----------------------|------------|--|----------------|------------|-----------------------|--|
| Designed by           | Checked by | Approved by - date                               | File name      | Date       | Scale                 |  |
| ---                   | ---        | 10 may 06  | SL_GCH.dwg     | 10 may 06  | 2 : 1                 |  |
| Superlum Diodes, Ltd. |            |  | Mount DBUT     |            |                       |  |
|                       |            |  | SL.1112.18.000 | Edition 03 | Sheet 1/1             |  |

1 2 3 4 5 6 7 8