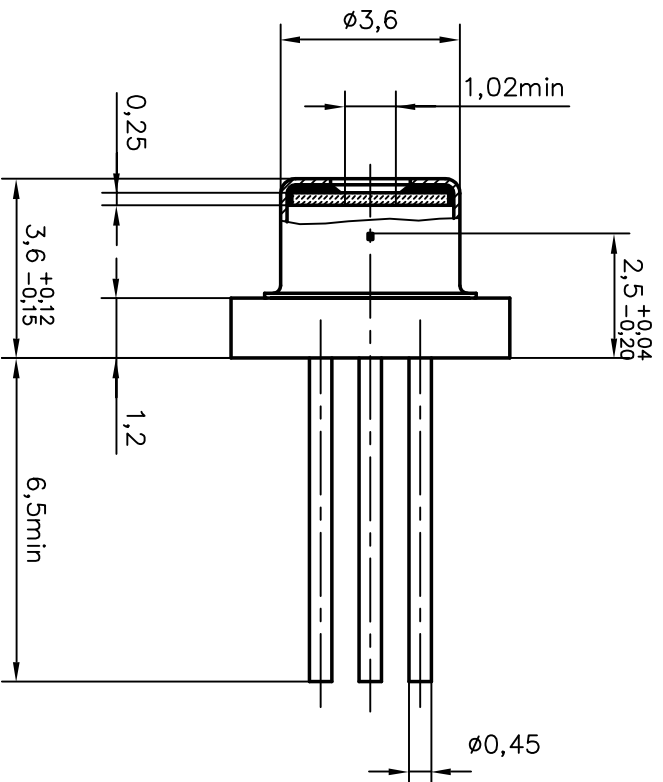
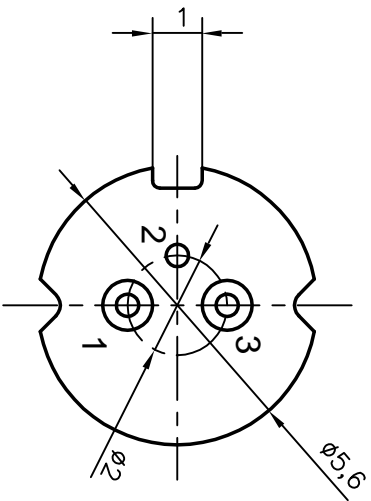




Superlum

RevNo Revision note Date Signature Checked



PINNING

| Pin. | Var. 1 | Var. 2 (Request only!) |
|------|------------------|---------------------------|
| 1 | cathode SLD (-) | anode SLD (+) |
| 2 | common, case (+) | common, case (-) |
| 3 | anode PD (-) | cathode PD (+) |

All sizes in mm.

| Itemref | Quantity | Title/Name, designation, material, dimension etc | Article No./Reference |
|--------------------|-------------------|--------------------------------------------------|-------------------------|
| Designed by XXX | Checked by XXX | Approved by - date 00/00/00 | File name SL_GCH.dwg |
| Date 00/00/00 | | | Scale - |

Superlum Diodes, Ltd.

T0 5,6 mm package

SL.2222.00.000

Edition
0

Sheet
1/1